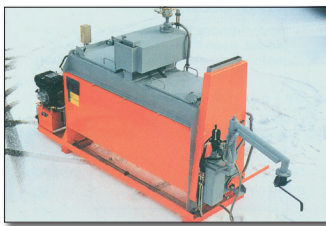




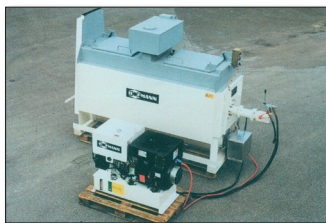
Preheater HK range



①



②



③



④

Horizontal preheaters are heated indirectly (with heat transfer oil) by gas or oil burners (12V, 24V oder 230V)

- Oil heated dividing wall (with passing) increases melting capacity

- Two-chamber-system: This prevents preheated material in the rear chamber from cooling down when fresh solid material is being fed into the front chamber. Therefore, ready melted material always at your disposal

- Reliable sealing of agitator shaft bearing which remains sealed even against heat influences

- Circulation system for heat transfer oil

- Heating of agitator shaft

- Heating module to preheat the heat transfer oil

- ① Two HK800-1 with diesel oil burner, 10 kW power station
- ② HK1000-1 with propane gas burner, 3 kW power station and transfer pump
- ③ HK1000-1 with oil burner, 10 kW power station with generator
- ④ HK1000-1 with propane gas burner, 3 kW power station, on trailer 3000HG

Info: Heating

Direct heating

This method of heating ensures the greatest melting capacity.

However, the danger of local overheating in the melting pot requires you to monitor the heating closely for melting temperature, filling level and agitator operation.

Indirect heating

A heat transmission oil bath encloses the melting pot to ensure a uniform heat transmission and gentle heating without local overheating in the melting bath.

Suitable for sensitive melting material and ideal if you wish to rely entirely on the temperature control system.

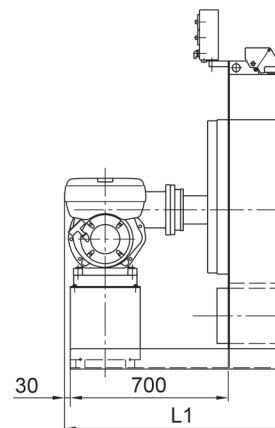
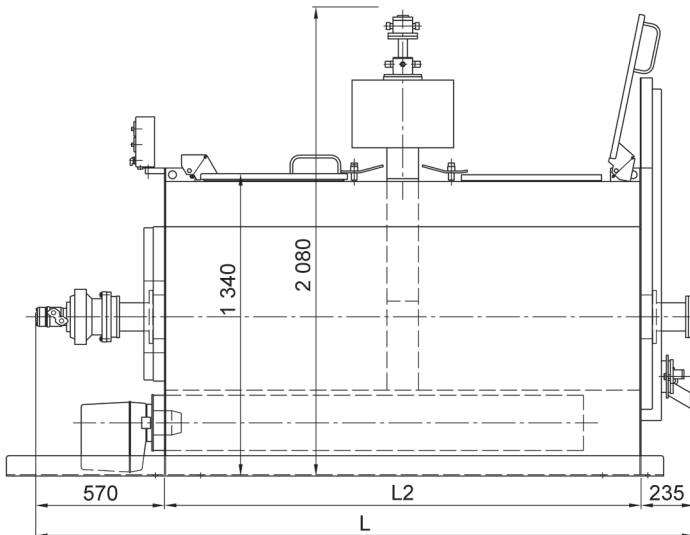
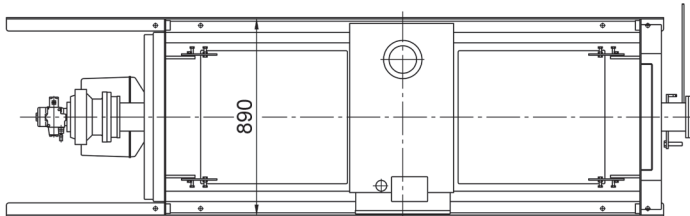
Technical Data

Preheater:

Heating – Type	Container volume (gross): Material [l] / Thermal oil [l]	Dimensions [L x L1 x L2 mm]	Weight [kg/lbs] (without power station)
HK800-1 - indirectly	880 430	2 550 x 2 700 x 1 710	1 310/ 2 885 (incl. thermal oil)
HK1000-1 - indirectly	1 100 450	2 950 x 3 100 x 2 110	1 485/ 3 270 (incl. thermal oil)

Power station:

Engine	Heating	max.n° preheaters	Fuel [l]	Hydraulic oil [l]	Weight [kg/lbs]	Dim. LxWxH [mm]
1-cylinder 232 cm ³ , Hatz diesel engine, air-cooled 3,1 kW at 3 000 rpm	gas	1	3	20	115 / 253	510 x 420 x 805
1-cylinder 347 cm ³ , Hatz diesel engine, air-cooled 4,6 kW at 3 000 rpm	gas (on request) + 24 V diesel	1	45	38	242 / 533	1040 x 560 x 835
3-cylinder 900 cm ³ , Kubota diesel engine, watercooled 10,0 kW at 2 200 rpm (continuous speed)	gas (on request) +12V/24V diesel +230V diesel	3 (depends on equipment)	64	70	390 / 860	1250 x 710 x 1100
Thermal oil preheating unit	electric				65/143	500 x 450 x 850



(Customised sizes upon request)